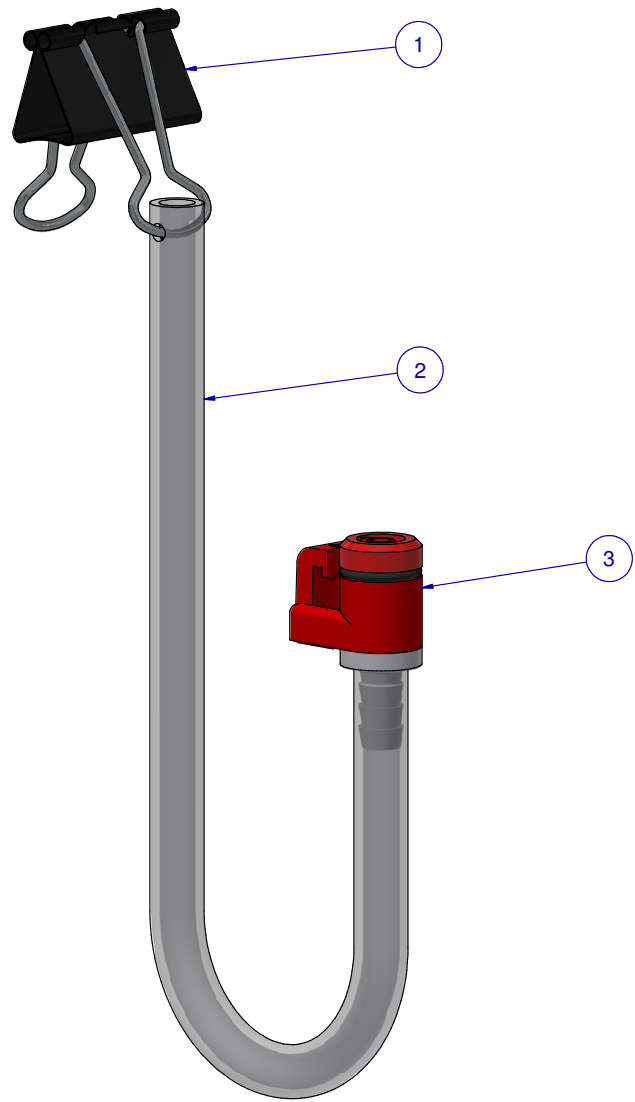


ITEM	PART NR.	QTY	DESCRIPTION
1	1943	1	CLIP: BINDER 1-1/4"
2	1944	1	TUBE: 1/4" CLEAR VINYL - 3' / 30.48 CM
3	2116	1	BARB ADAPTER: AKTIVE



TOOL: PRESSURE INDICATOR - CAGE AKTIVE - 6" / 15 CM

PART NR.:
1950

DATE: 06-01-04 REVISION: 1