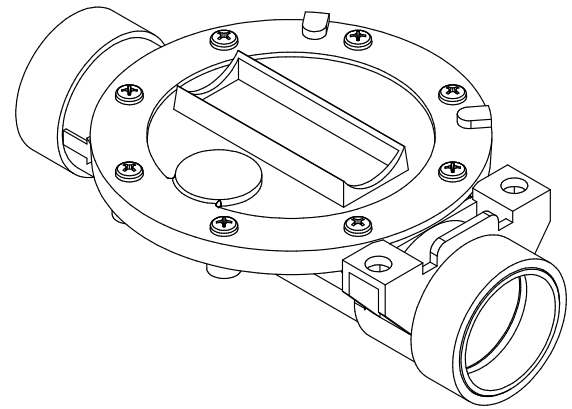


ITEM	PART NR.	QTY	DESCRIPTION
1	83	8	FASTENER: SCREW PAN HD PHILLIPS #7-18 X 1/2" LG
2	1957	1	SLOPE NEUTRALIZER PART: TOP NO RISER TUBE
3	2406	4	SLOPE NEUTRALIZER PART: BALL - 8.0MM
4	1783	2	DRINKER PART: BALL BIG Z
5	2360	1	O-RING: 236 - 3.234" ID X 3.50" OD X 0.139" CS
6	2412	2	SLOPE NEUTRALIZER PART: BALL RETAINER
7	1987	1	SLOPE NEUTRALIZER PART: BODY



SLOPE NEUTRALIZER: CAGE BIG ACE 5.5" / 14 CM  
AVERAGE REDUCTION - NO RISER TUBE

PART NR.:

DATE: 03-16-01

REVISION: 4

1958-6