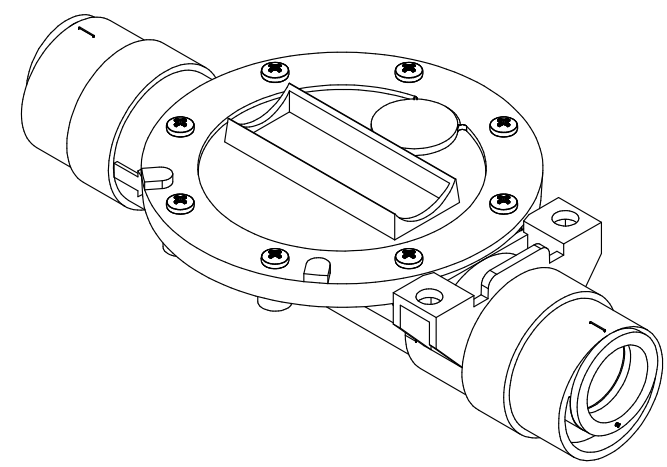


| ITEM | PART NR. | QTY | DESCRIPTION |
|------|----------|-----|--|
| 1 | 83 | 8 | FASTENER: SCREW PAN HD PHILIPS #7-18 X 1/2" LG |
| 3 | 1957 | 1 | SLOPE NEUTRALIZER PART: TOP NO RISER TUBE |
| 4 | 2406 | 4 | SLOPE NEUTRALIZER PART: BALL - 8.0MM |
| 5 | 1783 | 2 | DRINKER PART: BALL BIG Z |
| 6 | 2360 | 1 | O-RING: 236 - 3.234" ID X 3.50" OD X 0.139" CS |
| 7 | 2412 | 2 | SLOPE NEUTRALIZER PART: BALL RETAINER |
| 8 | 1987 | 1 | SLOPE NEUTRALIZER PART: BODY |
| 9 | 1369 | 2 | ADAPTER: BIG ACE SPIGOT X ACE SLIP |



SLOPE NEUTRALIZER: CAGE ACE 5.5" / 14 CM
AVERAGE REDUCTION - NO RISER TUBE

PART NR.:
1958B-6

DATE: 03-16-01

REVISION: 4