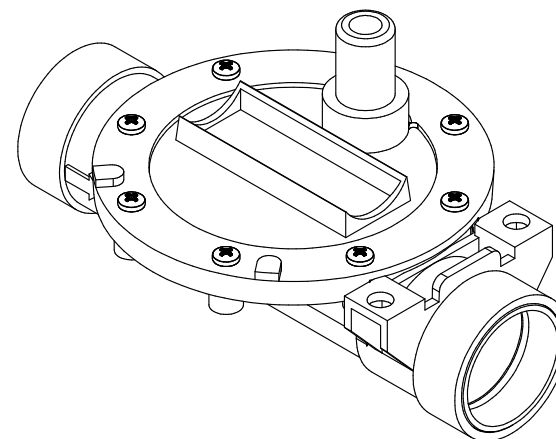
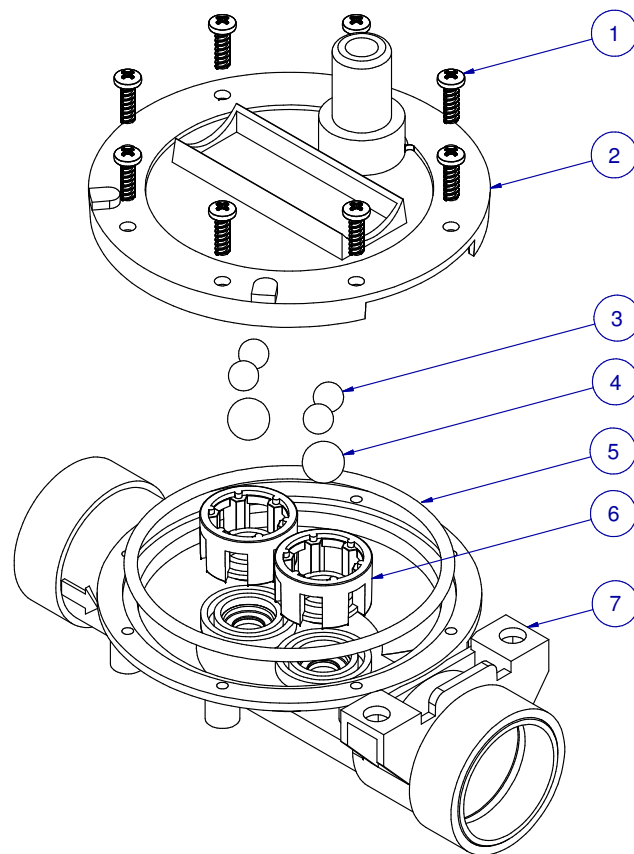


ITEM	PART NR.	QTY	DESCRIPTION
1	83	8	FASTENER: SCREW PAN HD PHILIPS #7-18 X 1/2" LG
2	1809	1	SLOPE NEUTRALIZER PART: CAP WITH RISER
3	2406	4	SLOPE NEUTRALIZER PART: BALL - 8.0MM
4	1783	2	DRINKER PART: BALL BIG Z
5	2360	1	O-RING: 236 - 3.234" ID X 3.50" OD X 0.139" CS
6	2412	2	SLOPE NEUTRALIZER PART: BALL RETAINER
7	1987	1	SLOPE NEUTRALIZER PART: BODY



SLOPE NEUTRALIZER UNIT: CAGE 5.5" / 14 CM
AVERAGE REDUCTION - LEFT

PART NR.:

DATE: 03-16-01

REVISION: 4

1998-6L