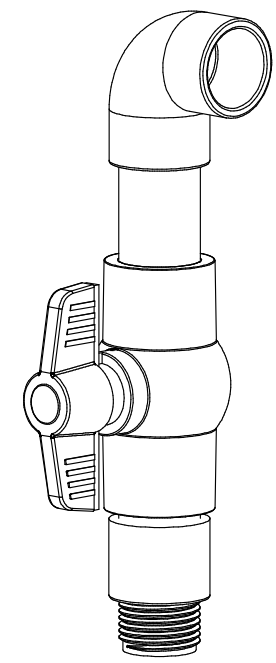
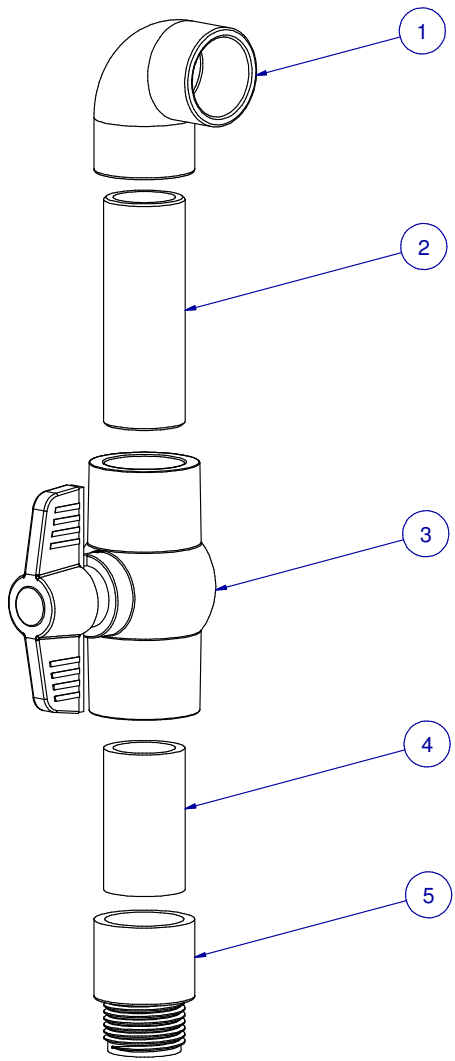


| ITEM | PART NR. | QTY | DESCRIPTION |
|------|------------|-----|--------------------------------------|
| 1 | 1647 | 1 | FITTING: PVC ELBOW 3/4" |
| 2 | 1586-3 | 1 | PIPE: PVC 3/4" X 3" |
| 4 | 1586-1.875 | 1 | PIPE: PVC 3/4" X 1.875" |
| 5 | 2403 | 1 | FITTING: PVC MALE ADAPTER 3/4" X MHT |
| 3 | 1587 | 1 | FITTING: PVC BALL VALVE 3/4" |



REGULATOR SUPPLY VALVE UNIT: ELBOW 3/4" PVC

DATE: 07-05-01 REVISION: 4

PART NR.:
2003