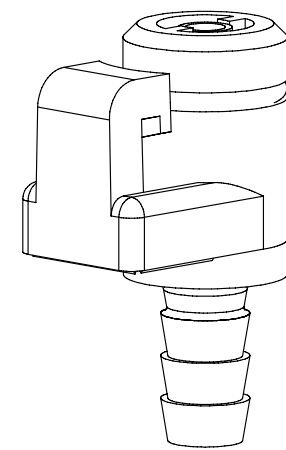
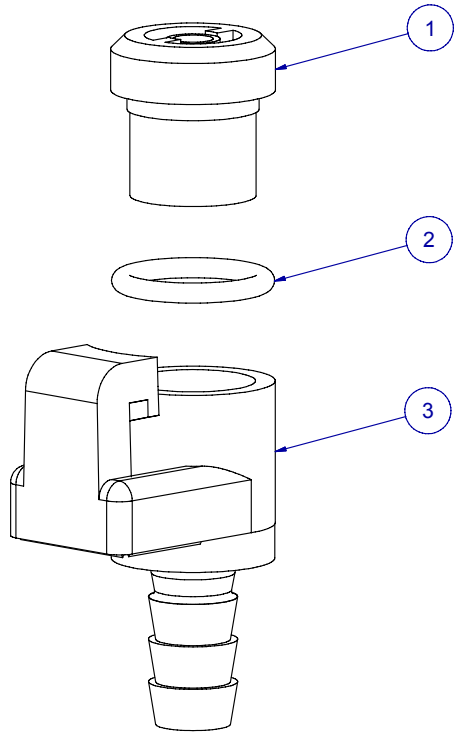


ITEM	PART NR.	QTY	DESCRIPTION
1	459	1	DRINKER PART: CAP AKTIVE - EPDM
2	47-013	1	O-RING: 013 - 0.426" ID X 9/16" OD X 0.070" CS
3	461	1	ADAPTER: BARB WELDMENT S/L



BARB ADAPTER: AKTIVE		PART NR.:
DATE: 10-25-01	REVISION: 1	2116