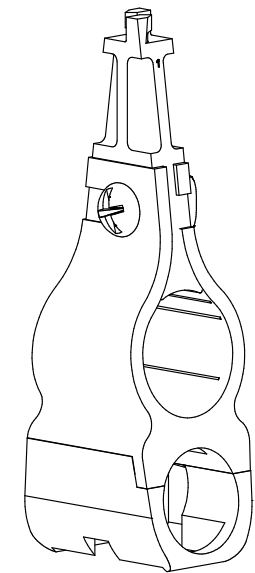
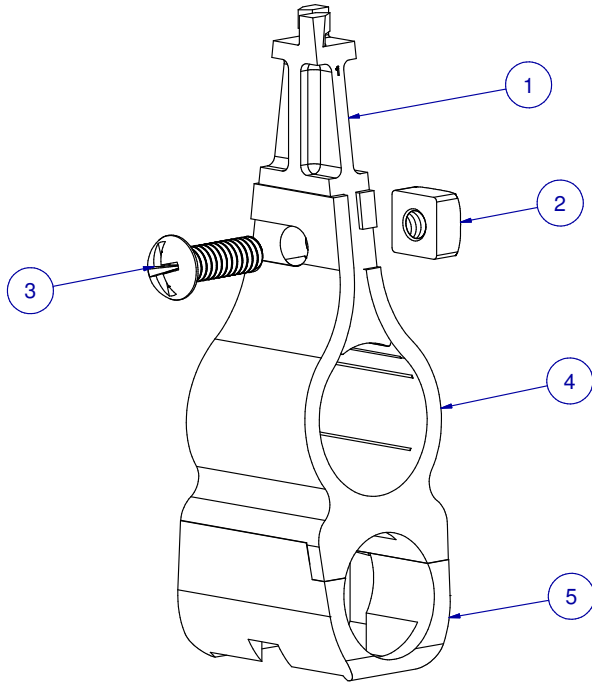


ITEM	PART NR.	QTY	DESCRIPTION
1	2136	1	BRACKET: AKTIVE - TOP
2	160	1	FASTENER: NUT CROWN SQ 1/4"-20 X 7/16" WD X 1/4" H
3	159	1	FASTENER: SCREW PAN HD PHILLIPS 1/4"-20 X 3/4" LG
4	2137	1	BRACKET: AKTIVE - MIDDLE
5	2138	1	BRACKET: AKTIVE - BOTTOM



BRACKET ASSEMBLY: AKTIVE

DATE: 09-13-01 REVISION: 1

PART NR.:
2140