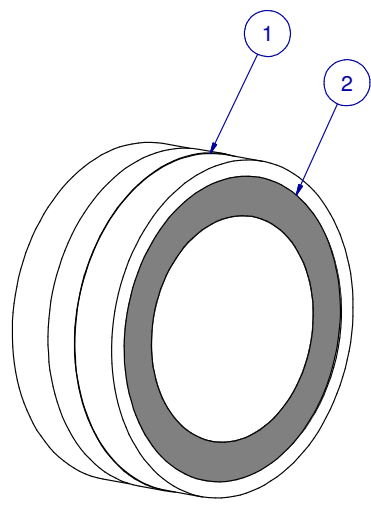


ITEM	PART NR.	QTY	DESCRIPTION
1	1729	1	FLOOR END ASSEMBLY PART: PLUNGER W/O O-RING
2	2226	1	O-RING: 211 - 0.796" ID X 1 1/16" OD X 0.139" CS



FLOOR END ASSEMBLY PART: PLUNGER

PART NR.:

DATE: 06-28-01

REVISION: 1

2264