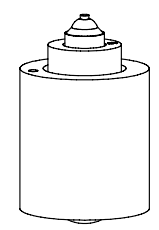
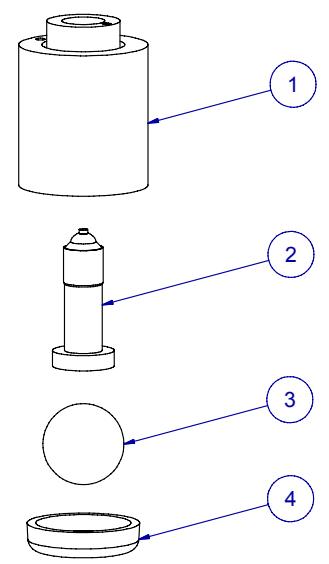


ITEM	PART NR.	QTY	DESCRIPTION
1	1766	1	DRINKER PART: CAP T/L STAINLESS: WHITE 9/32"
2	2704	1	DRINKER PART: TWO STAGE METERING PIN - GOLD
3	1764	1	DRINKER PART: BALL 9/32"
4	1765	1	DRINKER PART: SEAT STAINLESS FOR 9/32" BALL



DRINKER PART: CAPSULE TL - GOLD / WHITE

PART NR.:

DATE: 10-13-00

REVISION: 2

2307