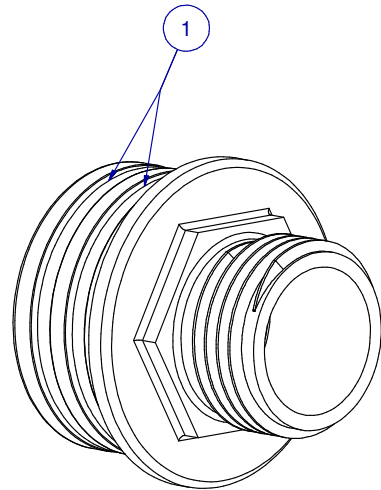


ITEM	PART NR.	QTY	DESCRIPTION
1	987	2	O-RING: 125 - 1.299" ID X 1 1/2" OD X 0.103" CS



FLOOR END ASSEMBLY PART: MHT OUTLET

PART NR.:

DATE: 12-16-03

REVISION: 3

2397