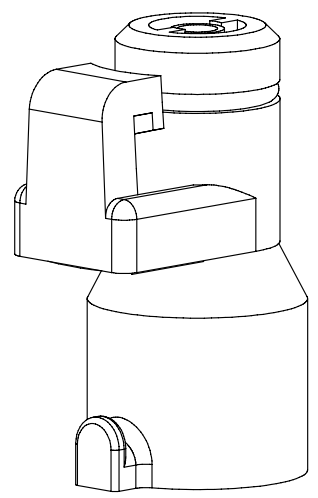
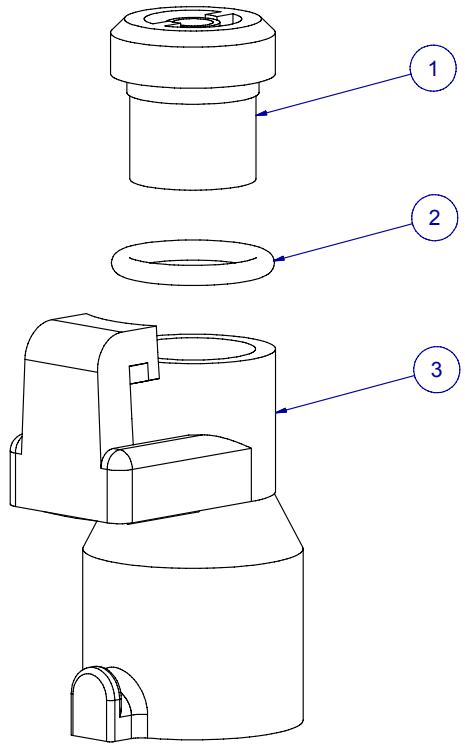


ITEM	PART NR.	QTY	DESCRIPTION
1	459	1	DRINKER PART: CAP AKTIVE - EPDM
2	47-013	1	O-RING: 013 - 0.426" ID X 9/16" OD X 0.070" CS
3	469	1	DRINKER EXTENDER BODY: AKTIVE



DRINKER EXTENDER: AKTIVE

PART NR.:

DATE: 11-05-03

REVISION: 1

2514