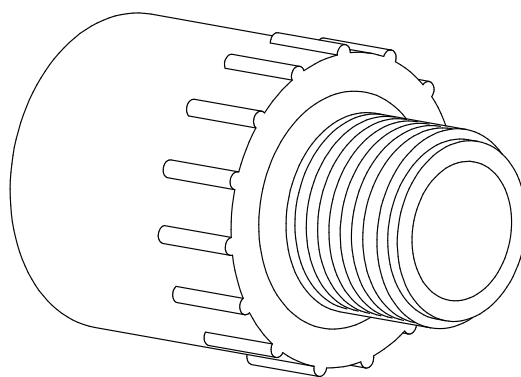


SCALE: 100%



FITTING: PVC MALE ADAPTER 1" X MHT

PART NR.:

DATE: 02-04-11

REVISION:

2595