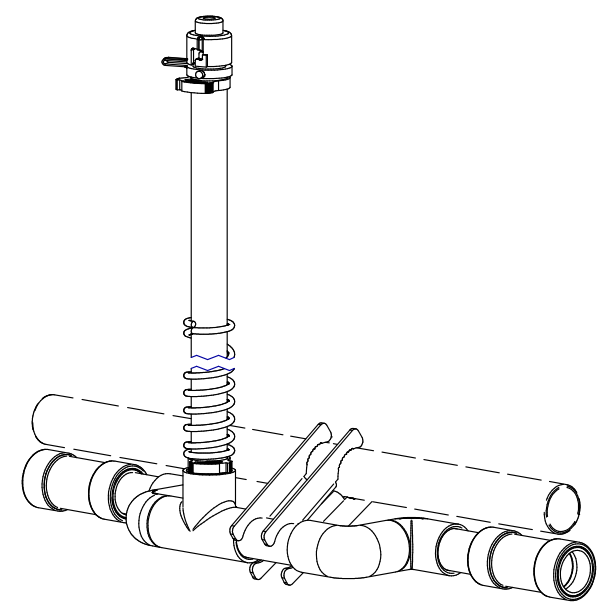


ITEM	PART NR.	QTY	DESCRIPTION
1	2005	1	RISER TUBE CAP
2	147	1	BALL: RISER TUBE
3	511	2	CLAMP: SNAP 0.746" - 0.848" DIA. - BLACK
4	122-24	1	RISER TUBE: 24" / 60 CM
6	2607	2	BRACKET: SUPPORT PIPE TO ASSEMBLY - ACE
7	2089	1	FASTENER: BOLT HEX HD M6 X 1 X 16 LG
8	260	2	PIPE CONNECTOR: ACE - WHITE
9	2608	1	AIR RELEASE UNIT: FLOOR ACE
10	2652	1	FASTENER: LOCK WASHER - M6
11	2605	1	FASTENER: NUT HEX M6-1
5	1895	1	SPRING: RISER TUBE



**AIR RELEASE ASSEMBLY: FLOOR ACE**

DATE: 03-31-05      REVISION: 2

PART NR.:  
**2609**