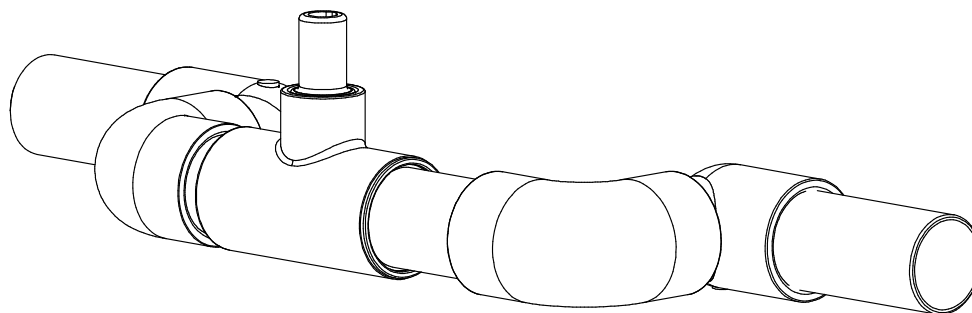


SCALE: 40%



AIR RELEASE UNIT: FLOOR BIG ACE

DATE: 03-31-05      REVISION: 1

PART NR.:  
2610