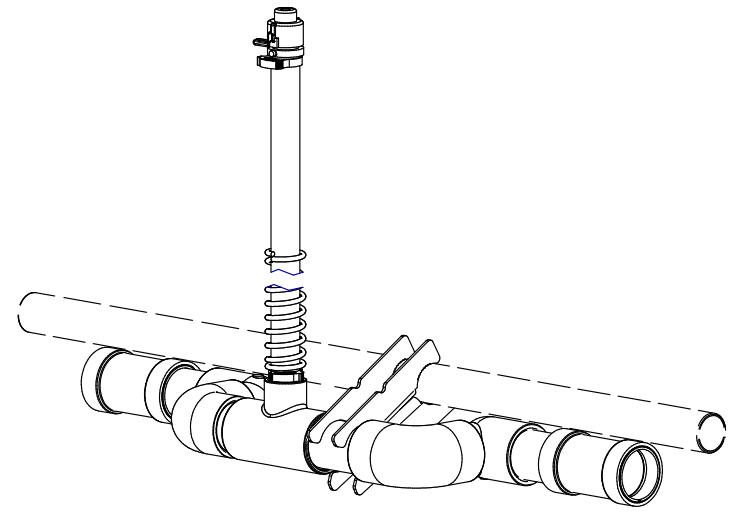


ITEM	PART NR.	QTY	DESCRIPTION
1	2005	1	RISER TUBE CAP
2	147	1	BALL: RISER TUBE
3	511	2	CLAMP: SNAP 0.746" - 0.848" DIA. - BLACK
4	122-24	1	RISER TUBE: 24" / 60 CM
5	1895	1	SPRING: RISER TUBE
6	2089	1	FASTENER: BOLT HEX HD M6 X 1 X 16 LG
7	2606	2	BRACKET: SUPPORT PIPE TO ASSEMBLY - BIG ACE
8	896	2	PIPE CONNECTOR: BIG ACE / BIG Z - BLACK
9	2610	1	AIR RELEASE UNIT: FLOOR BIG ACE
10	2652	1	FASTENER: LOCK WASHER - M6
11	2605	1	FASTENER: NUT HEX M6-1



AIR RELEASE ASSEMBLY: FLOOR BIG ACE

PART NR.:

DATE: 03-31-05

REVISION: 4

2611