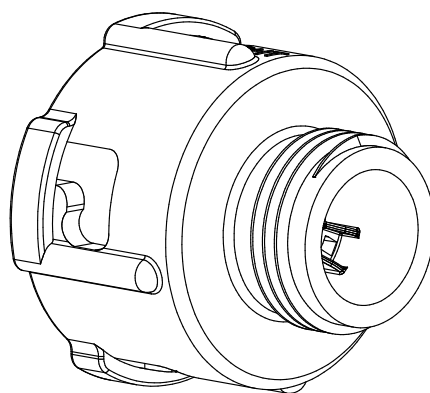


SCALE: 100%



FLOOR END ASSEMBLY PART: END CAP - MHT	
DATE: 04-04-05	REVISION: 2

PART NR.:
2619