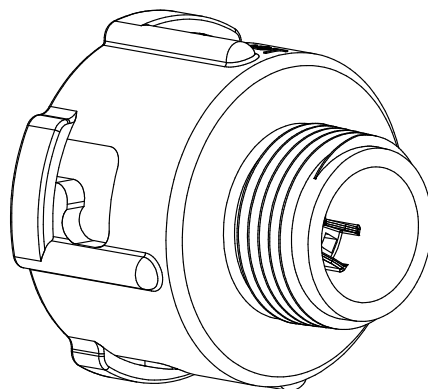


SCALE: 100%



| | |
|---|-------------|
| FLOOR END ASSEMBLY PART: END CAP - MNPT | |
| DATE: 04-04-05 | REVISION: 2 |

| |
|-----------|
| PART NR.: |
| 2620 |