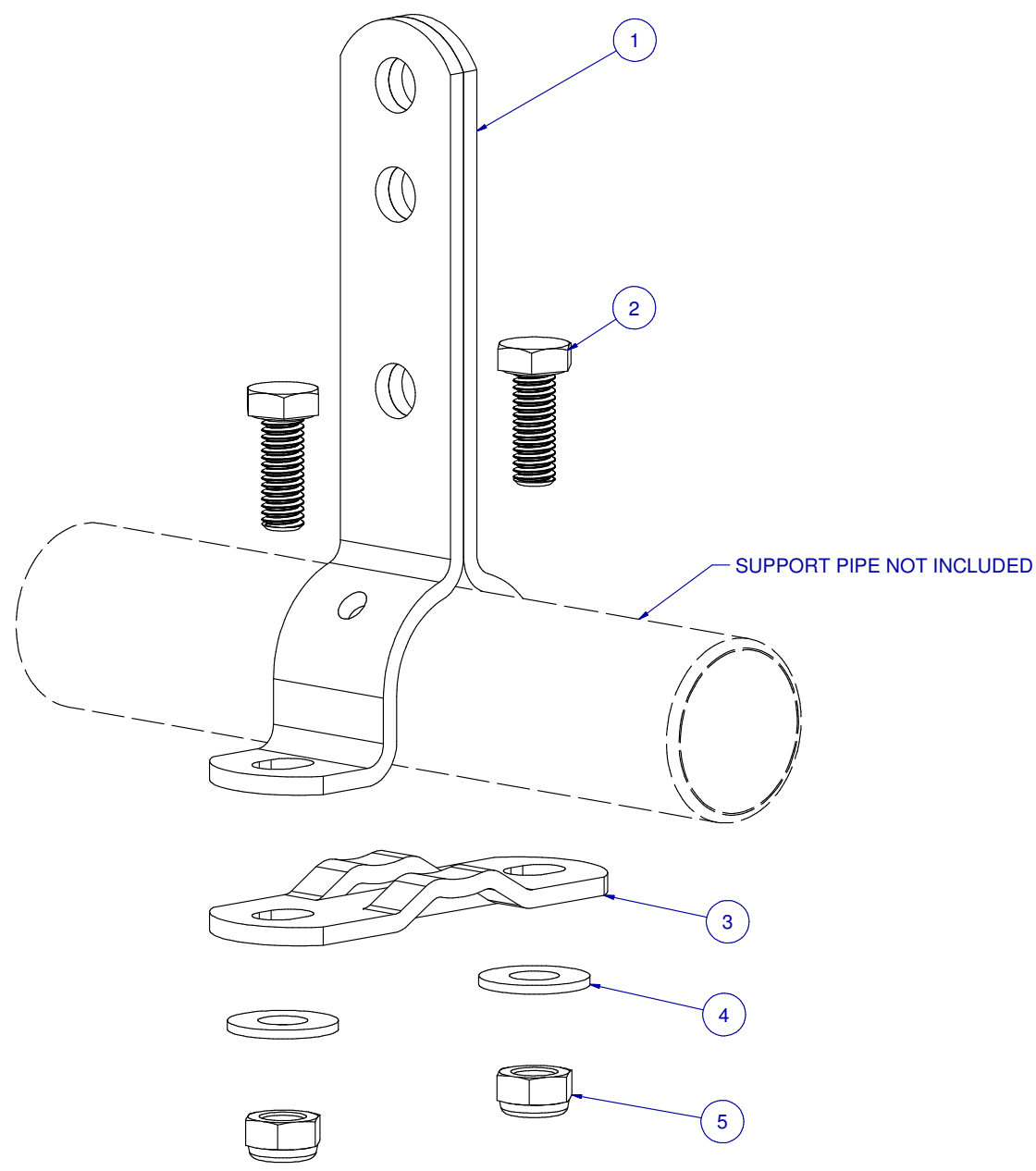
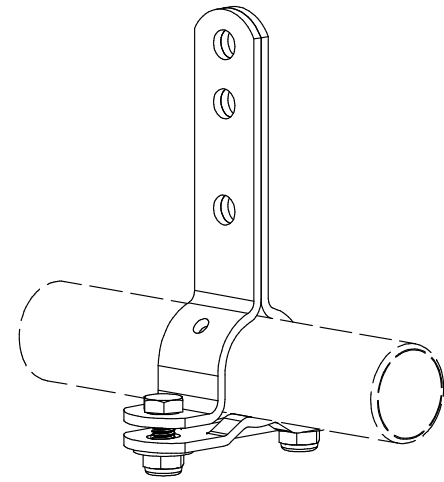


SCALE: 100%



ITEM	PART NR.	QTY	DESCRIPTION
1	898	1	CLAMP: SUPPORT PIPE TO FLOOR REGULATOR
2	2089	2	FASTENER: BOLT HEX HD M6 X 1 X 16 LG
3	2779	1	MOUNTING PLATE: SUPPORT PIPE
4	2792	2	WASHER: METAL - 9/32" ID X 5/8" OD X 0.050" TH
5	2791	2	FASTENER: NUT LOCK HEX M6 X 1.00



BRACKET ASSEMBLY: ANTI-ROOST

PART NR.:

DATE: 12-01-16

REVISION:

2639