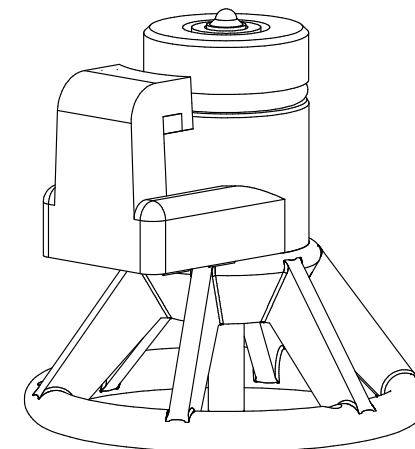


ITEM	PART NR.	QTY	DESCRIPTION
1	2658	1	DRINKER PART: CAP AKTIVE - WHITE
2	47-013	1	O-RING: 013 - 0.426" ID X 9/16" OD X 0.070" CS
3	2502	1	DRINKER PART: METERING PIN - ORANGE
4	1764	1	DRINKER PART: BALL - 9/32" TL & AKTIVE
5	2443	1	DRINKER PART: TRIGGER PIN - TL & AKTIVE
6	2650	1	DRINKER PART: BODY AKTIVE OPEN SHIELD



DRINKER: AKTIVE MAX3 - OPEN SHIELD

PART NR.:

DATE: 03-08-06

REVISION: 2

2664