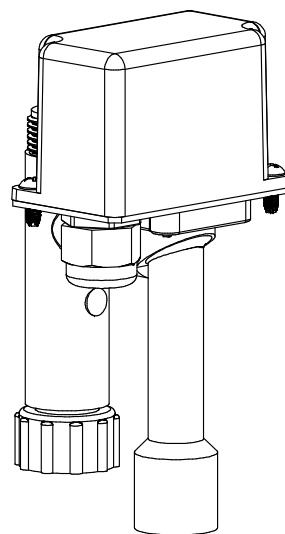
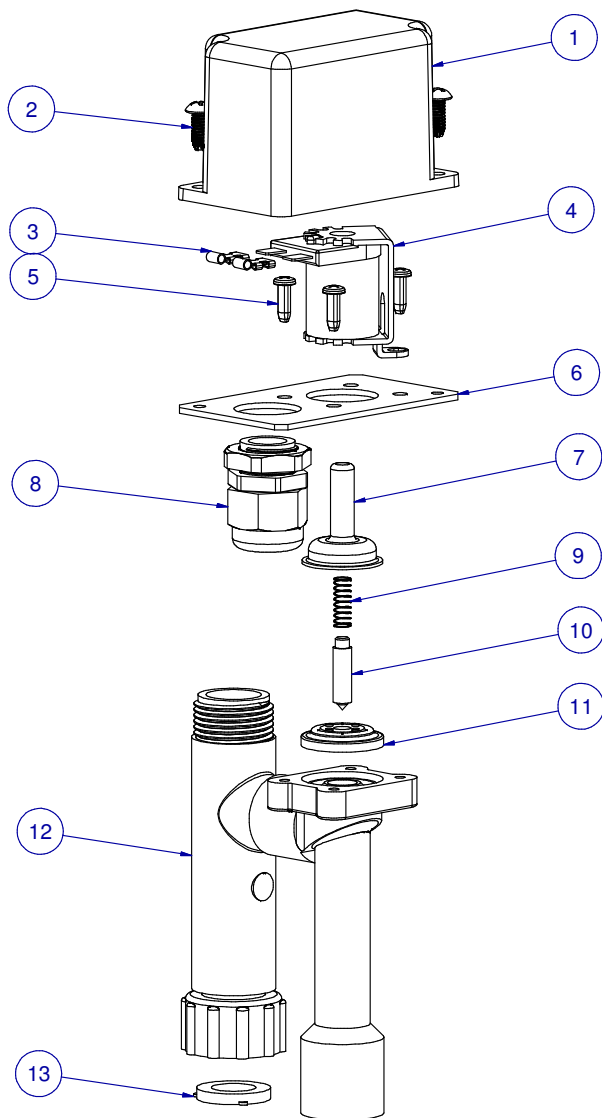


NOTES:  
1.) 24 VOLT SOLENOID



ITEM	PART NR.	QTY	DESCRIPTION
1	1570	1	REGULATOR PART: SOLENOID VALVE COVER
2	1845	2	FASTENER: SCREW PAN HD SELF TAPPING #10 -24 X 1/2" LG
3	1574	2	REGULATOR PART: SOLENOID VALVE FLAG TERMINAL
4	1569	1	REGULATOR PART: SOLENOID VALVE COIL - 24 VAC
5	83	4	FASTENER: SCREW PAN HD PHILLIPS #7 - 18 X 1/2" LG - PLASTITE THREAD
6	1568	1	REGULATOR PART: SOLENOID VALVE MOUNTING PLATE
7	1565	1	REGULATOR PART: SOLENOID VALVE GUIDE
8	1567	1	REGULATOR PART: SOLENOID VALVE CONNECTOR
9	1564	1	REGULATOR PART: SOLENOID VALVE SPRING
10	1563	1	REGULATOR PART: SOLENOID VALVE ARMATURE
11	1562	1	REGULATOR PART: SOLENOID VALVE DIAPHRAM
12	2671	1	REGULATOR PART: SOLENOID BASE 3/4" MNPT RED
13	758	1	WASHER: HOSE



REGULATOR PART: SOLENOID FLUSH 3/4" MNPT INLET - 24 VAC

PART NR.:

2672

DATE: 09-28-06

REVISION: 1