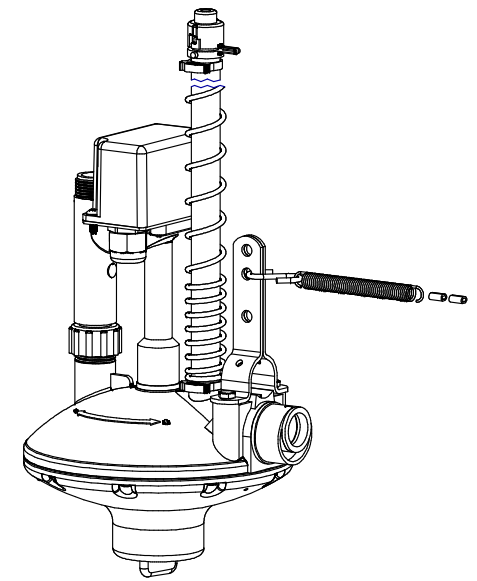


ITEM	PART NR.	QTY	DESCRIPTION
1	2005	1	RISER TUBE CAP
2	511	2	CLAMP: SNAP 0.746" - 0.848" DIA. - BLACK
3	147	1	BALL: RISER TUBE
4	122-24	1	RISER TUBE: 24" / 60 CM
5	1895	1	SPRING: RISER TUBE
6	2672	1	REGULATOR PART: SOLENOID FLUSH 3/4" MNPT INLET - 24 VAC
7	898	1	CLAMP: SUPPORT PIPE TO FLOOR REGULATOR
8	2765	1	S-HOOK: ANTI-ROOST CABLE ANCHOR
9	206	1	SPRING: ANTI-ROOST
10	207	2	CLIP: ANTI-ROOST CABLE
11	2089	2	FASTENER: BOLT HEX HD M6 X 1 X 16 LG
13	2349	1	REGULATOR UNIT: FLOOR
14	1369	1	ADAPTER: BIG ACE SPIGOT X ACE SLIP



REGULATOR: FLOOR SOLENOID ACE X 3/4" MNPT INLET - 24 VAC

PART NR.:

DATE: 11-01-06

REVISION: 2

2673B