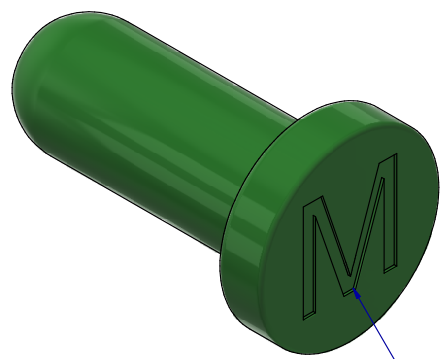
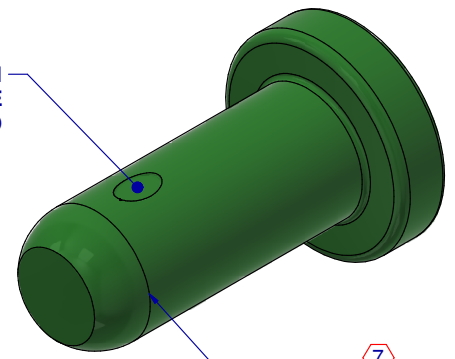


- NOTES:  
 1.) CRITICAL TO FUNCTION DIMENSIONS DENOTED BY ◆  
 2.) ADKEV MOLD #2710, 16 CAV.  
 3.) SEE SHEET 2 FOR QC INSPECTION  
 4.) VOLUME: 0.006 CU.IN.  
 5.) REF. XP-00074

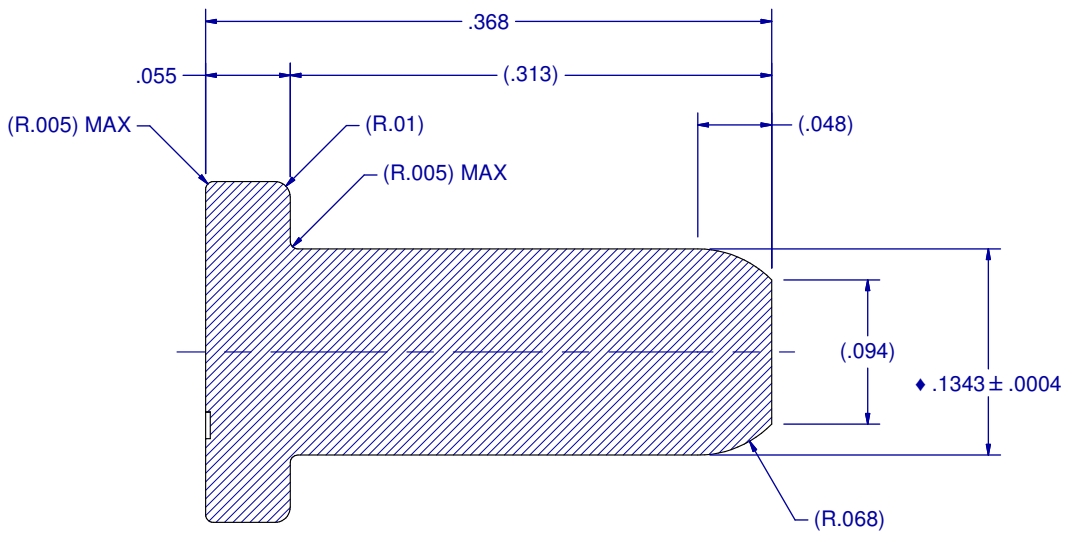
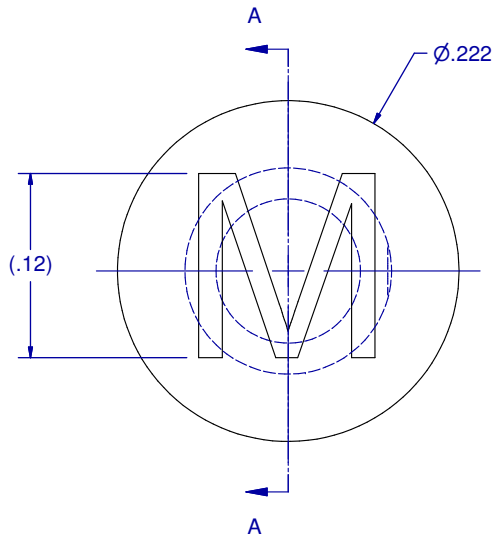


CAVITY ID  
A-P

GATE LOCATION  
PROTRUDING VESTIGE  
ON GATE IS UNDESIED



◆ NO OUTWARD FLASH  
ALLOWED AROUND  
THE DIAMETER HERE



SECTION A-A

7	ADDED TIP FLASH NOTE	01-18-18		MAB
6	SHT 2 .145 TO .086	12-23-15		MAB
5	CHANGED .01 TO .005 TO MATCH PART	10-15-15		MAB
4	DESIGNATED CRITICAL DIMENSIONS	03-11-15		MAB
3	RE-ORIENTED DWG VIEWS	11-11-13		MAB
2	MODIFIED DIMENSION PER 1ST LAYOUT	08-22-06		MAB
1	NEW PART NUMBER	04-25-06		MAB
REV	DESCRIPTION	DATE	ECN	BY

THIS DRAWING CONTAINS PROPRIETARY AND CONFIDENTIAL INFORMATION OF ZIGGITY SYSTEMS, INC. AND MUST BE USED STRICTLY IN ACCORDANCE WITH THE LIMITED PURPOSE FOR WHICH IT WAS SUBMITTED. ANY REPRODUCTION, DISCLOSURE, OR USE OF THIS DRAWING IS EXPRESSLY PROHIBITED EXCEPT AS ZIGGITY SYSTEMS, INC. MAY OTHERWISE AGREE IN WRITING.



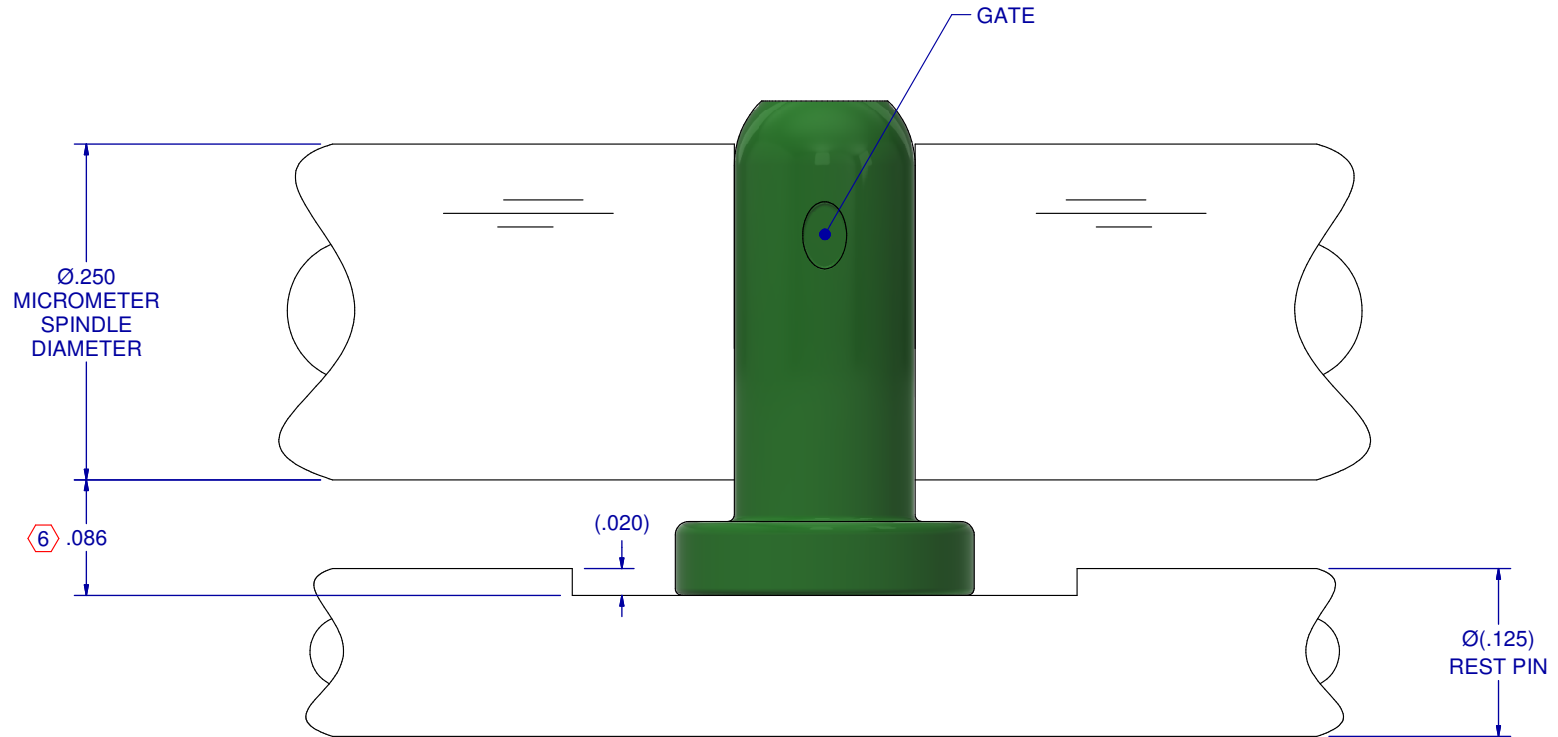
ASME Y14.5		
BIN: H	DATE	NAME
DRAWN BY	04-25-06	MAB
CHECKED BY		
APPR'V'D BY		

TOLERANCES UNLESS NOTED ALL DIMENSIONS IN INCHES	
2 PLACE DECIMAL	± .010
3 PLACE DECIMAL	± .005
4 PLACE DECIMAL	± .0005
FRACTIONS ± 1/16	ANGLES ± 1'

PART NR.:	2710		
DRINKER PART: METERING PIN - GREEN S1			
MATERIAL:	VALOX 325 (GREEN)		
SCALE	8.000	SHEET	1 OF 2

NOTES

- 1.) Q.C. INSPECTION
- 2.) ZIGGITY MICROMETER TOOL #1038
- MITUTOYO MICROMETER #293-340



PART NR.:	2710				
DRINKER PART: METERING PIN - GREEN S1					
MATERIAL: VALOX 325 (GREEN)					
REV	7	SCALE	1.000	SHEET	2 OF 2

SCALE: 250%



DRINKER PART: METERING PIN - GREEN S1

PART NR.:

DATE: 04-25-06

REVISION: 7

2710