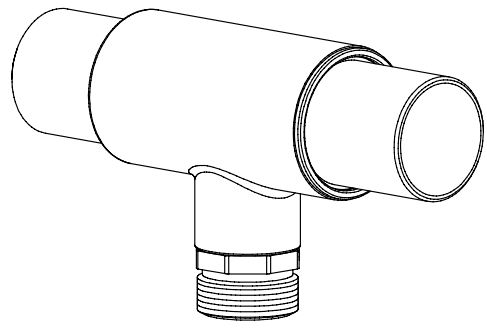


SCALE: 50%



DRAIN TEE UNIT: BIG ACE

PART NR.:

DATE: 09-12-06

REVISION: 1

2716