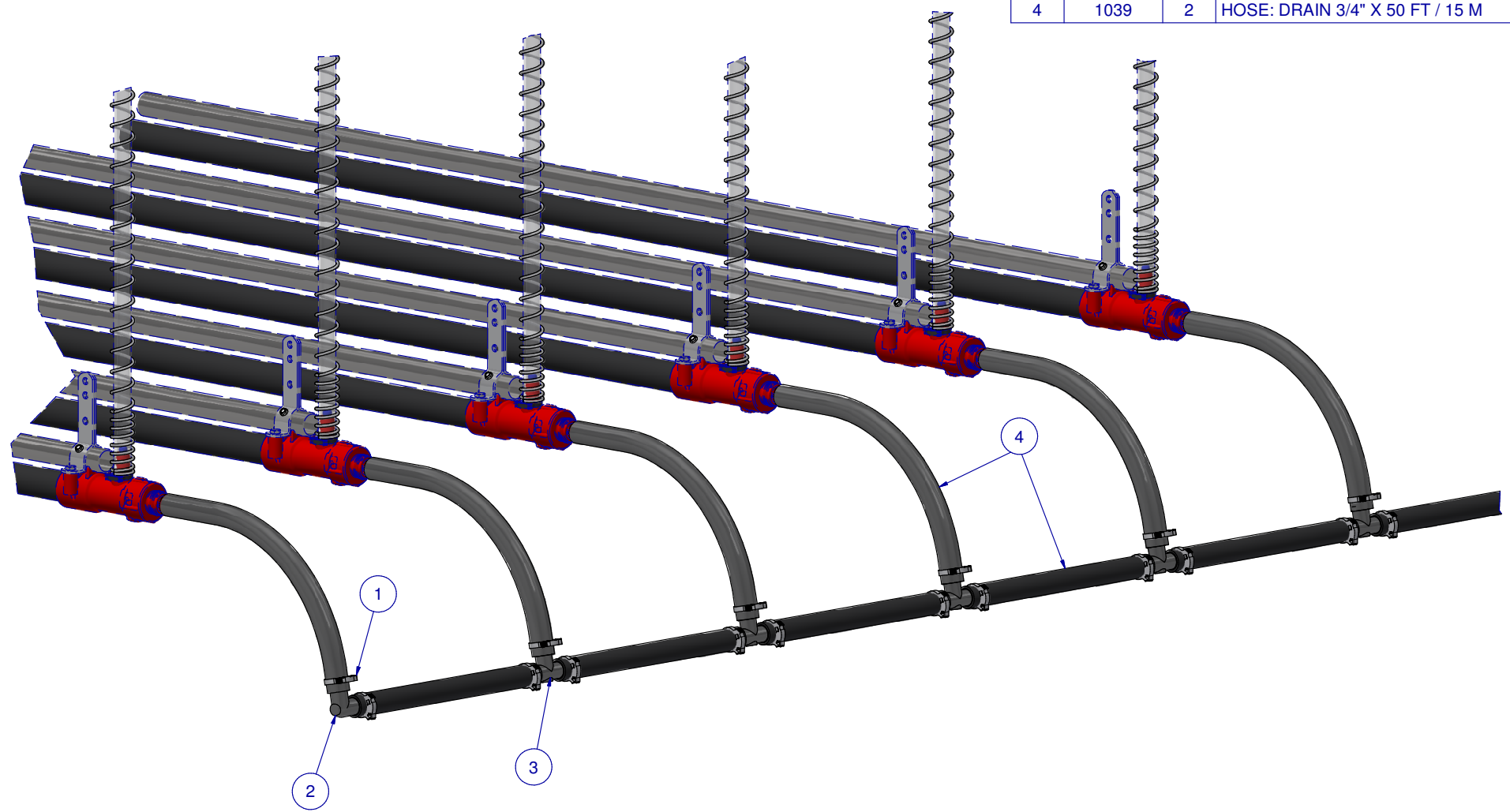


ITEM	PART NR.	QTY	DESCRIPTION
1	1421	17	CLAMP: SNAP 0.928" - 1.072 DIA. - WHITE
2	1188	1	ELBOW: BARBED 3/4"
3	1189	5	TEE: BARBED 3/4"
4	1039	2	HOSE: DRAIN 3/4" X 50 FT / 15 M



DRAIN HOSE KIT: FLOOR - 6 LINE SET UP

DATE: 08-13-09 REVISION:

PART NR.:
2719