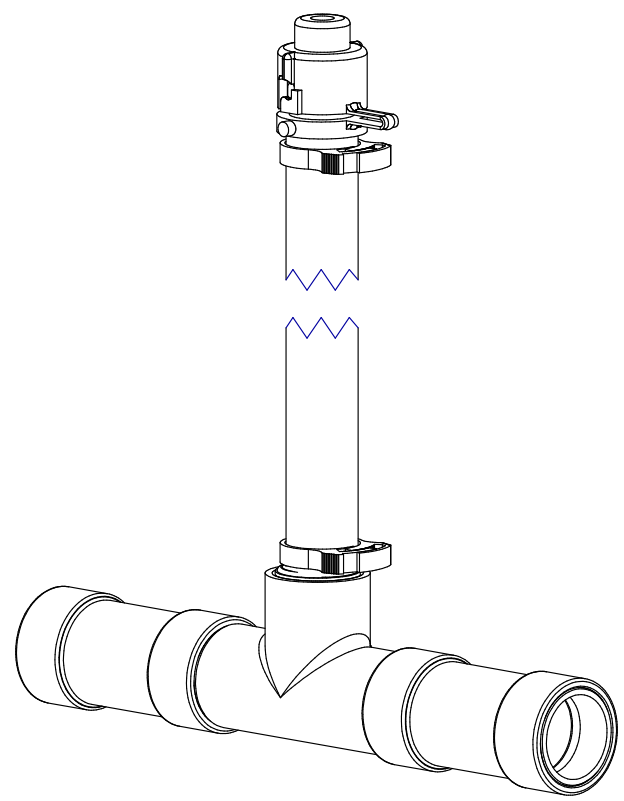
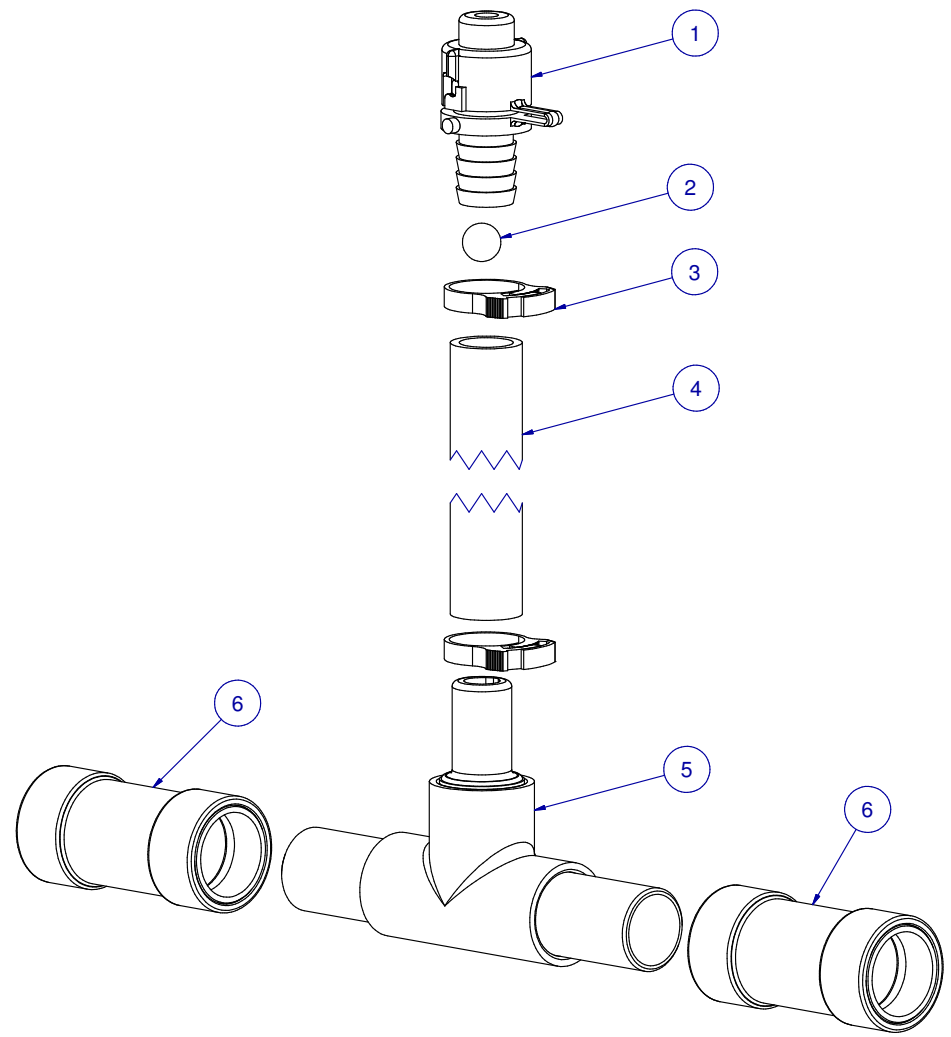


| ITEM | PART NR. | QTY | DESCRIPTION |
|------|----------|-----|--|
| 1 | 2005 | 1 | RISER TUBE CAP |
| 2 | 147 | 1 | BALL: RISER TUBE |
| 3 | 511 | 2 | CLAMP: SNAP 0.746" - 0.848" DIA. - BLACK |
| 4 | 122-24 | 1 | RISER TUBE: 24" / 60 CM |
| 5 | 2725 | 1 | AIR RELEASE UNIT: CAGE/START GROW - ACE |
| 6 | 260 | 2 | PIPE CONNECTOR: ACE - WHITE |



AIR RELEASE ASSEMBLY: CAGE/START GROW - ACE

PART NR.:

DATE: 11-03-06

REVISION: 1

2724