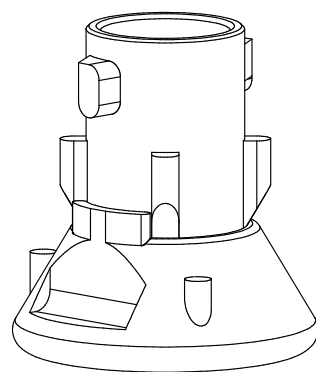


SCALE: 150%



DRINKER PART: BODY TL MAX8 SHIELDED

PART NR.:

DATE: 03-06-08

REVISION:

2772