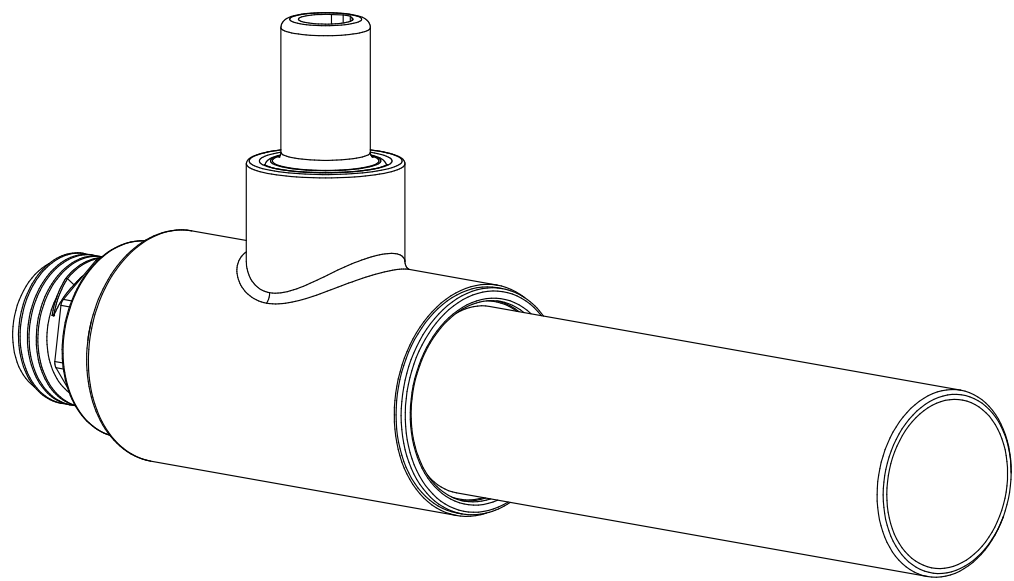


SCALE: 75%



PRESSURE PRO ASSEMBLY PART: AIR RELEASE UNIT

DATE:	04-27-09	REVISION:	1
-------	----------	-----------	---

PART NR.:
2786