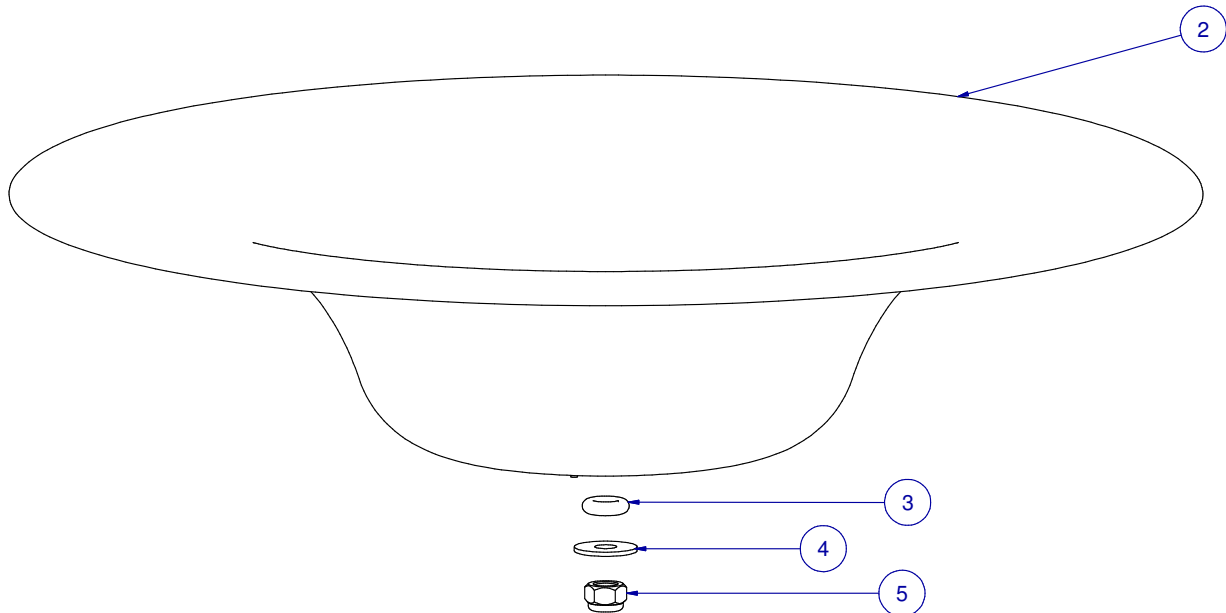
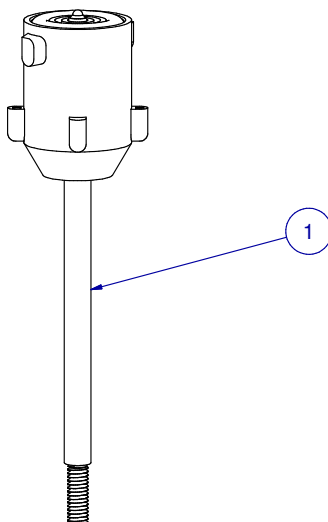


ITEM	PART NR.	QTY	DESCRIPTION
1	2902	1	DRINKER: T-MAX - ADULT TURKEY W/O ACTIVATOR
2	2814	1	DRINKER PART: ACTIVATOR T-MAX
3	2815	1.05	O-RING: 105 - 0.143" ID X 11/32" OD X 0.103" CS
4	2816	1.05	WASHER: METAL - .163" ID X .467" OD X 0.03" TH
5	2817	1.05	FASTENER: NUT NYLOCK HEX M4 X 0.7 X 6.9MM WD X 5 MM H



DRINKER: T-MAX - ADULT TURKEY

DATE: 06-05-12

REVISION: 1

PART NR.: 2904