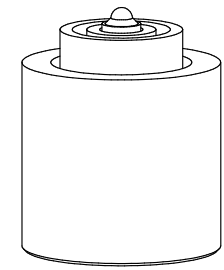
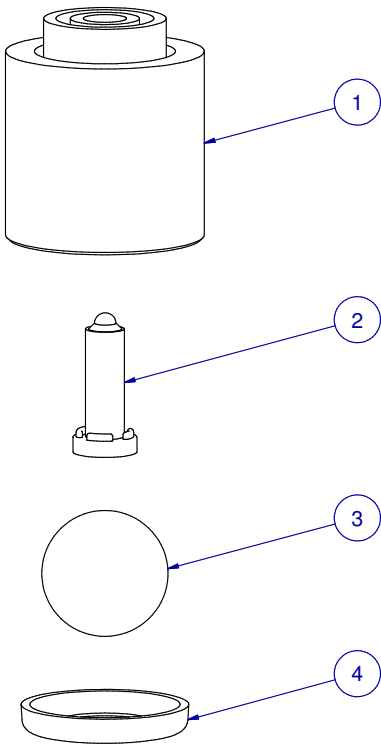


SCALE: 150%

ITEM	PART NR.	QTY	DESCRIPTION
1	2823	1	DRINKER PART: CAP BIG Z - BLACK
2	2504	1	DRINKER PART: METERING PIN - WHITE
3	1783	1	DRINKER PART: BALL - 7/16" BIG Z
4	1782	1	DRINKER PART: SEAT STAINLESS - 7/16" BALL



ASSEMBLED VIEW



DRINKER PART: CAPSULE T-MAX

PART NR.:

DATE: 10-15-12

REVISION:

2906