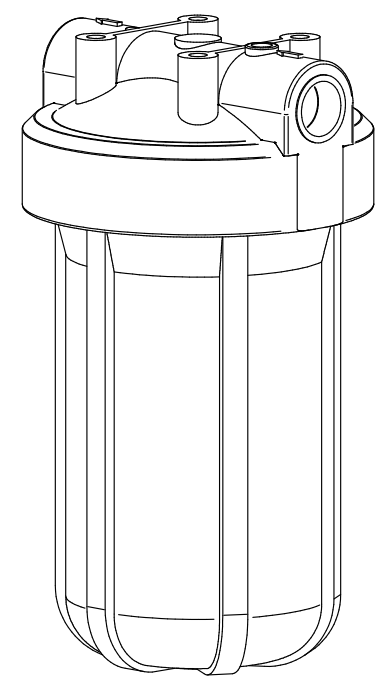


ITEM	PART NR.	QTY	DESCRIPTION
1	786	1	FILTER PART: HEAD 1" - PROCESSED
2	477-T14X	2	THREAD PROTECTOR: T14X
3	789	1	O-RING: US FILTER 5.514" ID X 5.85" X 0.168" CS
4	790	1	FILTER PART: CARTRIDGE CONTAINER - 1" FILTER



FILTER: 1" - PROCESSED		PART NR.:
DATE: 09-26-13	REVISION: 1	2922