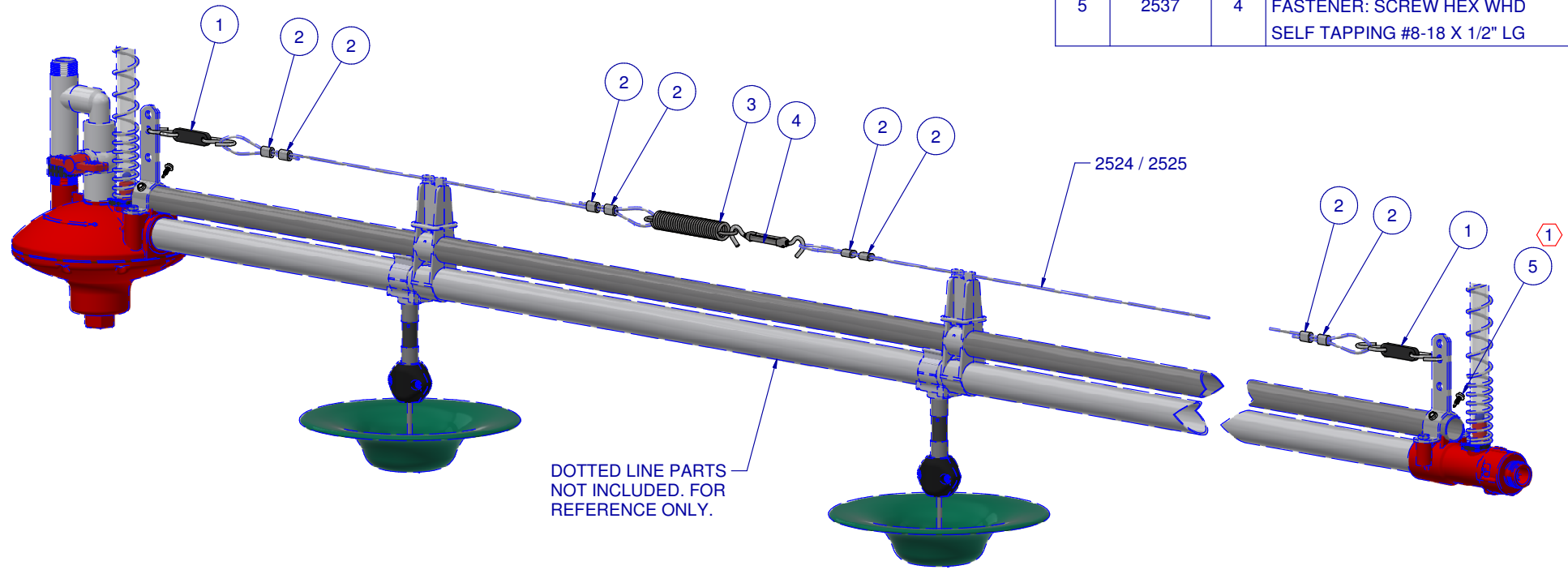


ITEM	PART NR.	QTY	DESCRIPTION
1	1460	2	INSULATOR ASSEMBLY: ANTI-ROOST
2	2667	8	CLIP: ANTI-ROOST CABLE- HEAVY DUTY
3	2669	1	SPRING: ANTI-ROOST - HEAVY DUTY
4	2698	1	TURNBUCKLE
5	2537	4	FASTENER: SCREW HEX WHD SELF TAPPING #8-18 X 1/2" LG



FAILURE TO USE 3/32" OR 2.4 MM O.D. 1 X 7 GALVANIZED CABLE WILL MOST LIKELY REQUIRE PERIODIC RE-TIGHTENING OF THE ANTI-ROOST SYSTEM AND/OR REPLACEMENT OF THE CABLE AND INSTALLATION ASSEMBLY HARDWARE.



INSTALLATION ASSEMBLY: HEAVY DUTY ANTI-ROOST - BASE

PART NR.:
2970

DATE: 06-08-17 REVISION: 1