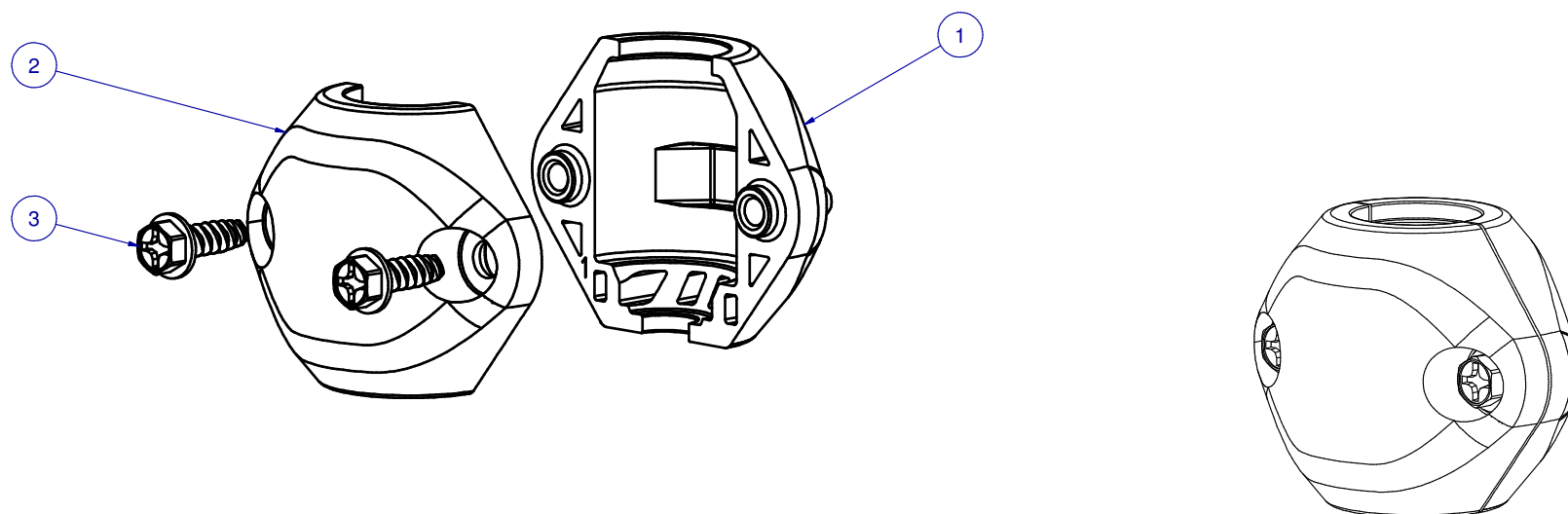


ITEM	PART NR.	QTY	DESCRIPTION
1	2995	1	CLAMP: T-MAX TO FLEX SADDLE REINFORCEMENT - MALE
2	2994	1	CLAMP: T-MAX TO FLEX SADDLE REINFORCEMENT - FEMALE
3	2993	2.05	FASTENER: HEX WASHER HEAD PHILLIPS SCREW #8-16 X 1/2" TRILOBULAR



CLAMP: T-MAX TO FLEX SADDLE REINFORCEMENT

PART NR.:

DATE: 12-15-16

REVISION:

2996