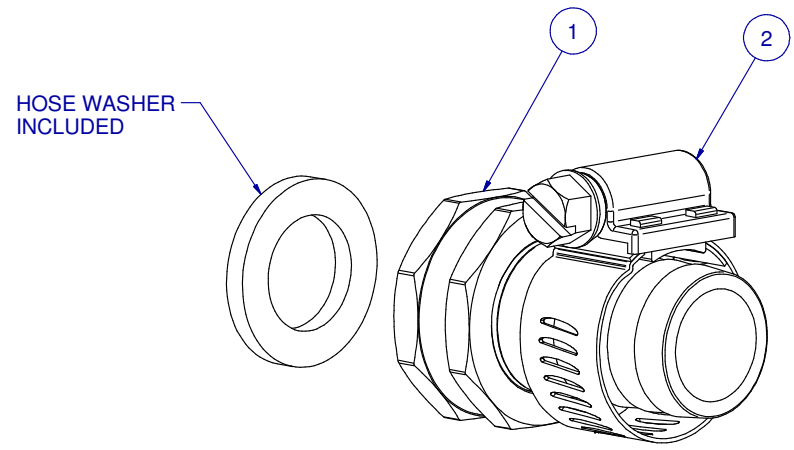


| ITEM | PART NR. | QTY | DESCRIPTION |
|------|----------|-----|-----------------------------------|
| 1 | 3856 | 1 | COUPLING PART: FHT X 3/4" BARB |
| 2 | 3852 | 1 | CLAMP: WORM-DRIVE 1/2" TO 1-1/16" |



COUPLING: FHT X 3/4" BARB

PART NR.:

DATE: 09-11-18

REVISION: 1

3859