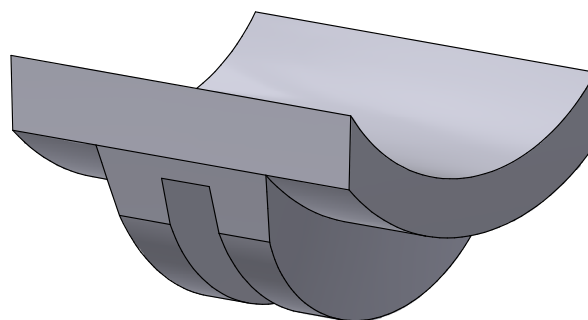


SCALE: 250%



PIPE STABILIZER: ACE

PART NR.:

DATE: 09-19-01

REVISION: 10

510