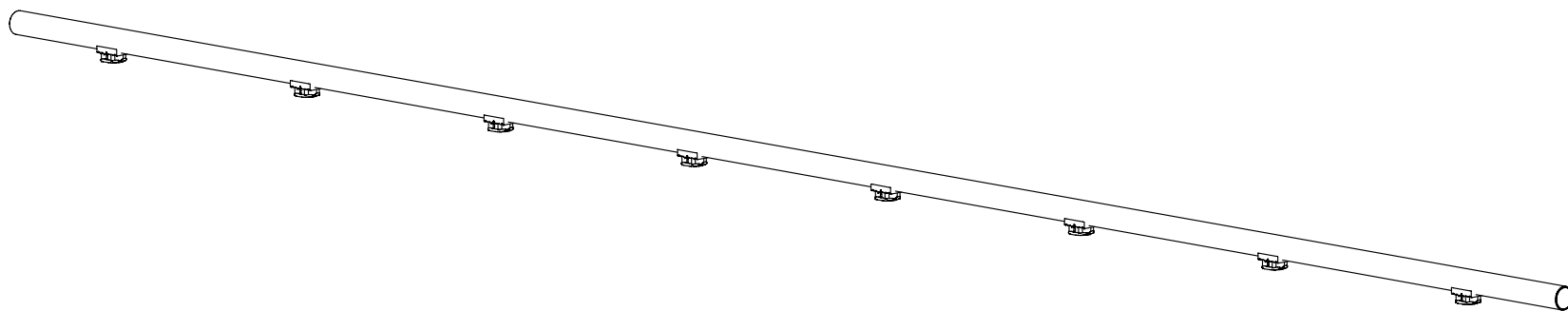


SCALE: 10%



PIPE UNIT: BIG Z 10 FT W/15" SPACING 8 SADDLES

DATE:	07-02-03	REVISION:	1
-------	----------	-----------	---

PART NR.:  
70213008