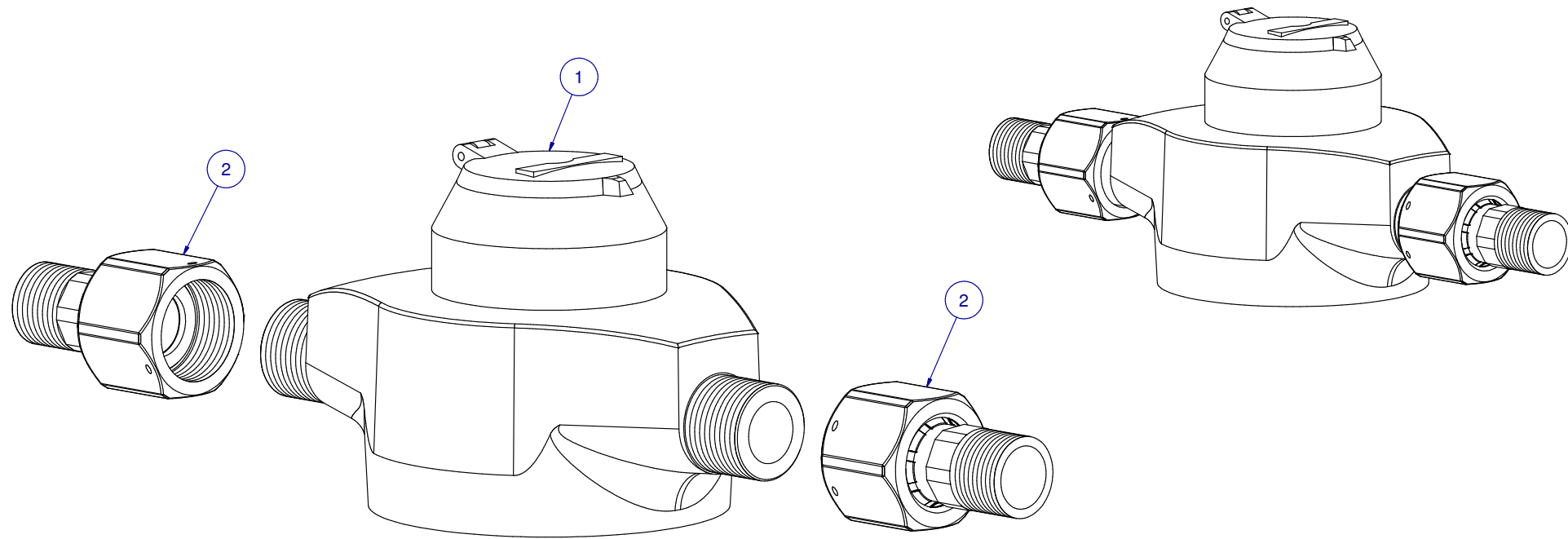


ITEM	PART NR.	QTY	DESCRIPTION
1	467	1	WATER METER PART: 1" UNIT - W/O COUPLINGS
2	1417	1	WATER METER PART: COUPLINGS FOR 1" UNIT



WATER METER: 1" - USG

PART NR.:

DATE: 09-11-01

REVISION: 1

770