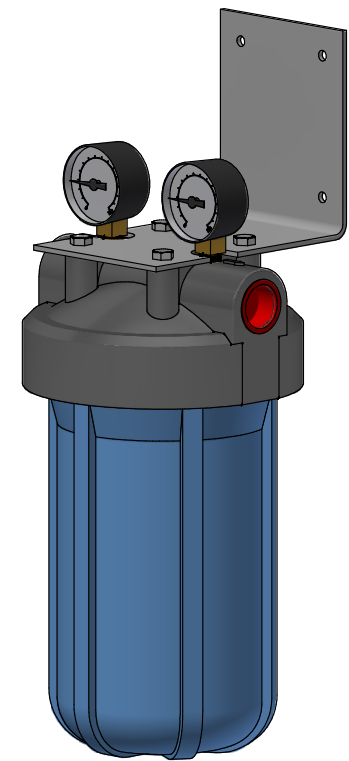


ITEM	PART NR.	QTY	DESCRIPTION
1	180	2	PRESSURE GAUGE: 0 - 100 PSI / 7 BAR
2	774	1	FILTER PART: MOUNTING BRACKET - 1" MODEL
3	788	4	BOLT: 5/16" X 1" HEX HEAD LAG
4	2922	1	FILTER: 1" - PROCESSED



FILTER UNIT: 1"

PART NR.:

DATE: 09-11-01

REVISION: 2

775