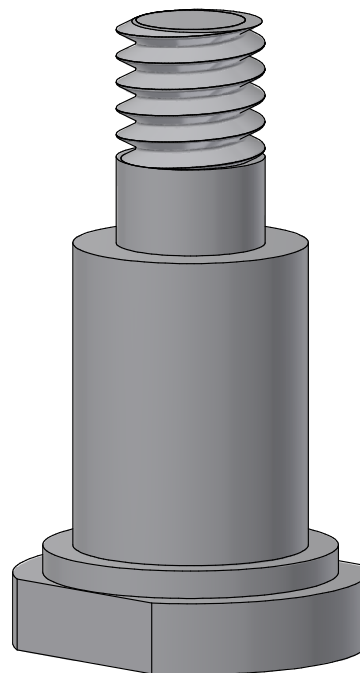


SCALE: 250%



REGULATOR ASSEMBLY PART: SHOULDER BOLT - STANDARD

PART NR.:

DATE: 09-30-00 REVISION: 5

92